

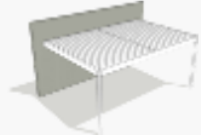
# Pergola Brochure

SMART | BIOCLIMATIC | MOTORIZED SYSTEM

# All Available Types



Single wall-mounted



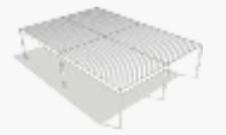
Single wall-mounted with  
intermediate transom



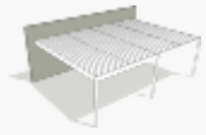
Single free-standing



Single free-standing with  
intermediate transom



Multiple free-standing



Double wall-mounted with  
intermediate transoms



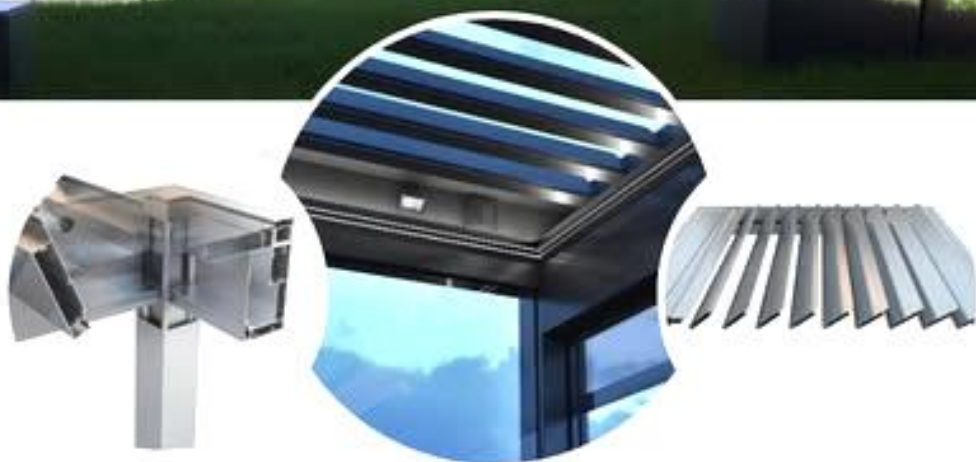
Double free-standing



Double free-standing with  
intermediate transoms



Embedded pergola



# Advantages

- Efficient protection against sunlight, rain, snow and other weather conditions
- Controlled living conditions due to the bioclimatic philosophy and side elements integration, such as sliding glass system, rolling shading ZIP-screens, shutters, LED, etc.
- Extremely robust constructions, which allows very wide dimensions up to 7.5 x 7.5 m with just four columns
- State-of-the-art fittings, e.g. the patented concealed and noiseless mechanism and the integrated automation systems
- High aesthetics and minimal design with emphasis on detail, e.g. no visible fixation points
- Vast range of solutions and possibility of full customization and expandability to meet every need





HH Metal

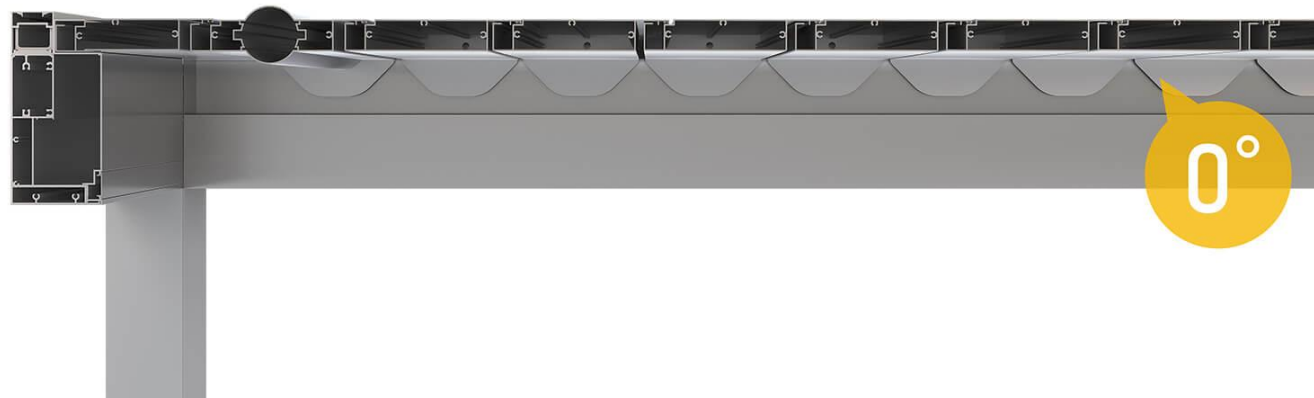




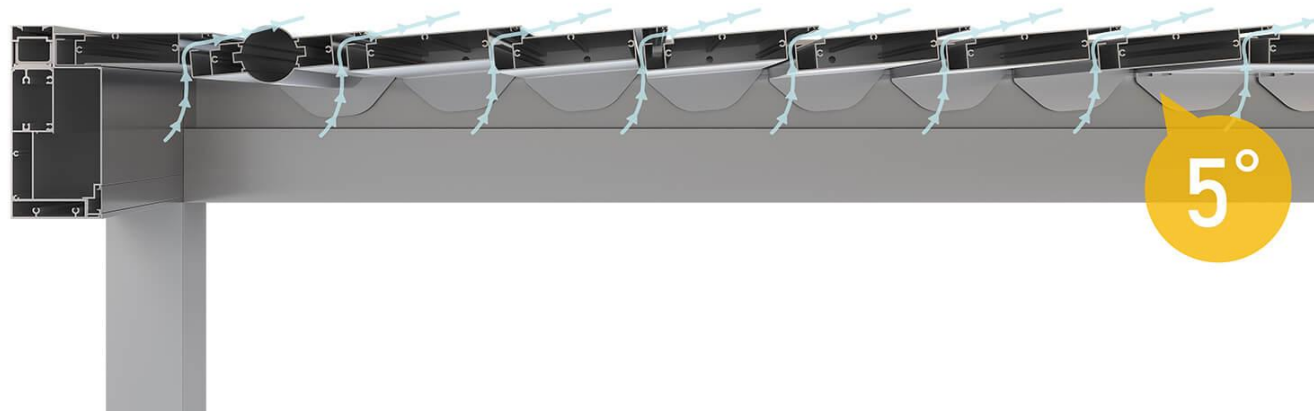


# Sections

HH Metal



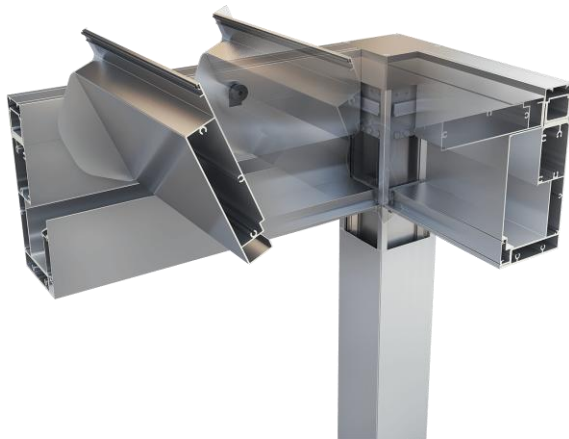
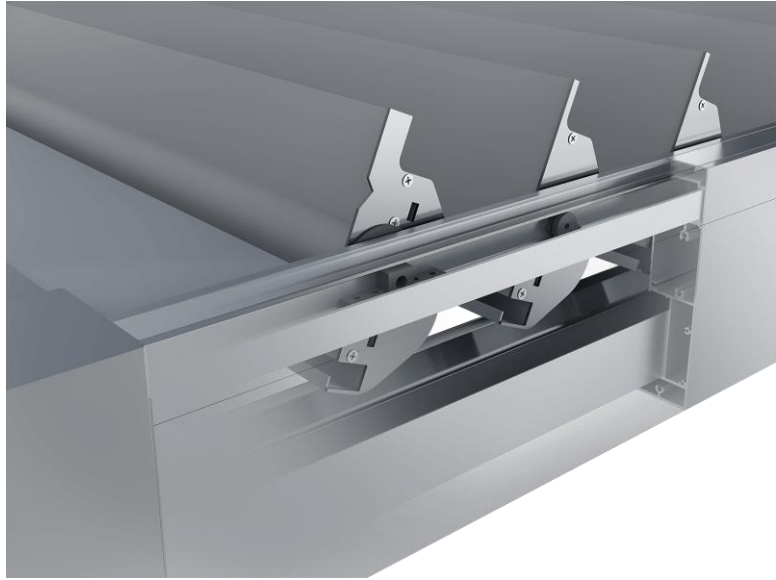
0°



5°



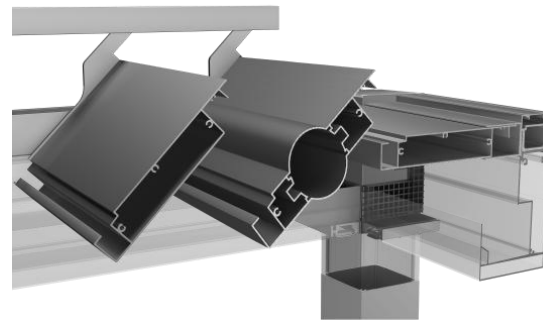
# Sections













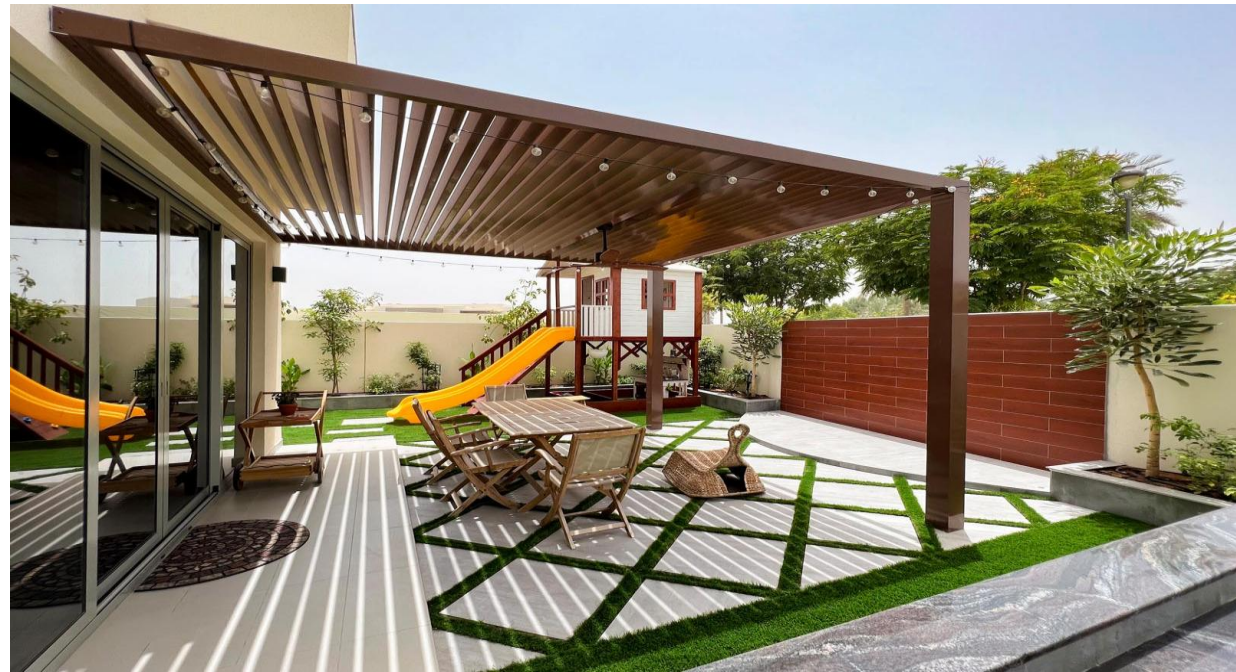






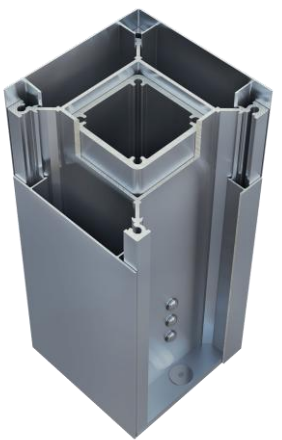
HH Metal







# Sections



HH Metal





# THANK YOU

Contact us:

[info@homeharmony.ae](mailto:info@homeharmony.ae)

[+971 54 330 8707](tel:+971543308707)

[www.hhmetal.ae](http://www.hhmetal.ae)

